



CATALOGUE

Air Shower/ Air Lock

cedinsamex.net

Tel: (+52) 222 235 1001 / 1002

Av. Tlaxcala No.480-A, San Juan Cuautlancingo, Puebla. C.P. 72700



CEDINSA®

cedinsamex.net

Tel.: (+52) 222 235 1001 / 1002

Av. Tlaxcala No.480-A, San Juan Cuautlancingo, Puebla. C.P. 72700



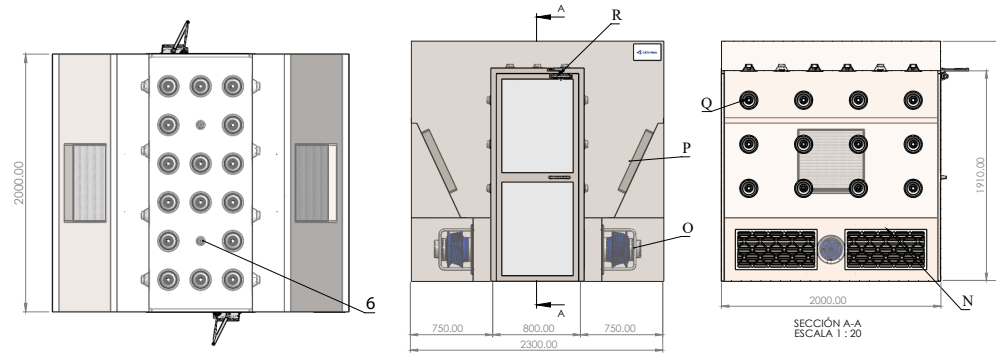
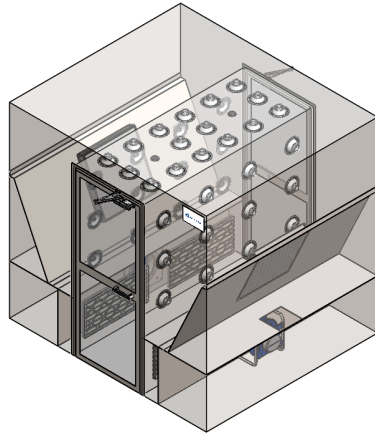
CEDINSA®

cedinsamex.net

Tel.: (+52) 222 235 1001 / 1002

Air Shower / Air Lock

Air Shower / Air Lock



1	Pre-Filter
2	Blower
3	HEPA Filter
4	Nozzle
5	Door closer
6	LED Light

MODEL	CE-ASE-01	CE-ASE-02	CE-ASE-04
External Dimensions LxAxH (mm)	1,000 x 2,200 x 2,180	2,000 x 2,200 x 2,180	4,000 x 2,200 x 2,180
Internal Dimensions LxAxH (mm)	930 x 800 x 2,000	1,860 x 800 x 2,000	3,930 x 800 x 2,000
Number of people	1	2 - 3	4 - 5
Stainless Steel Nozzles (ss)	20	40	80
Nozzle Velocity (m/s)	> 25 - 30	> 25 - 30	> 25 - 30
Noise Level (dBA)	75 - 80	75 - 80	75 - 80
Pre Filter	Pleated Filter 30"x20"x1", Eff. Merv. 8	Pleated Filter 30"x20"x1", Eff. Merv. 8	Pleated Filter 30"x20"x1", Eff. Merv. 8
Filter	HEPA Filter 24"x24"x2", Eff. 99.97%	HEPA Filter 24"x24"x2", Eff. 99.97%	HEPA Filter 24"x24"x2", Eff. 99.97%
Number of Fans	2 (460 V / 3 F / 60 Hz)	2 (460 V / 3 F / 60 Hz)	2 (460 V / 3 F / 60 Hz)
Internal Material	Stainless Steel	Stainless Steel	Stainless Steel
External Material	Stainless Steel	Stainless Steel	Stainless Steel
Doors	SS Frame with large upper glass and lower SS panel, magnetic lock	SS Frame with large upper glass and lower SS panel, magnetic lock	SS Frame with large upper glass and lower SS panel, magnetic lock
Control	1.- Cycle adjustment (0 - 99s) 2.- Touch Panel 3.- Presence Sensors 4.- Emergency Button	1.- Cycle adjustment (0 - 99s) 2.- Touch Panel 3.- Presence Sensors 4.- Emergency Button	1.- Cycle adjustment (0 - 99s) 2.- Touch Panel 3.- Presence Sensors 4.- Emergency Button



CEDINSA®

cedinsamex.net

Tel.: (+52) 222 235 1001 / 1002

Air Shower Tunnel Style

Air Shower (Tunnel Style)



MODELO	CE-ASE-01
External Dimensions LxAxH (mm)	8,700 x 2,400 x 2,600
Internal Dimensions LxAxH (mm)	8,700 x 900 x 2,200
Number of people	6 - 8
SS Nozzles (pcs)	216
Nozzle Velocity (m/s)	> 25 - 30
Noise Level (dBA)	75 - 80
Pre Filter	Cartridge Filter - 24"x12"x12", Eff. Merv. 13
Filter	HEPA Filter 24"x24"x11.5", Eff. Merv. 99.97%
Number of Fans	4 (460 V / 3 F / 60 Hz)
Internal Fabrication Material	Stainless Steel
External Fabrication Material	Painted Galvanized Steel
Doors	Automatic glass doors with sensors, motor and controls.
Control	1.- Touch Panel 2.- Presence Sensors 3.- Emergency Stop Button



CEDINSA®

cedinsamex.net

Tel.: (+52) 222 235 1001 / 1002

Av. Tlaxcala No.480-A, San Juan Cuautlancingo, Puebla. C.P. 72700



CEDINSA[®]

cedinsamex.net

Avenida Tlaxcala, 480-A, San Juan B
Cuautlancingo, 72700 Puebla, Pue.

Tel.: (+52) 222 235 1001 / 1002

info@cedinsamex.net